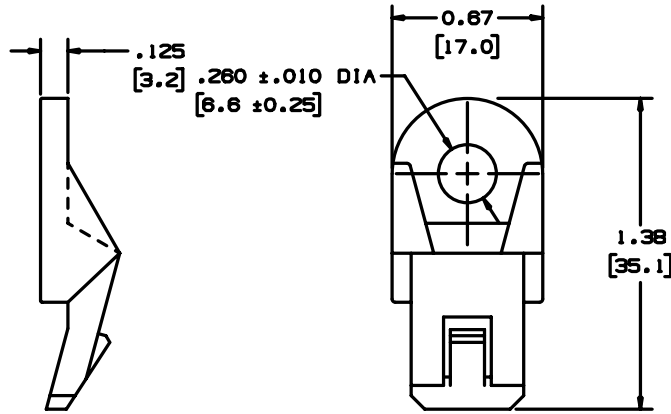


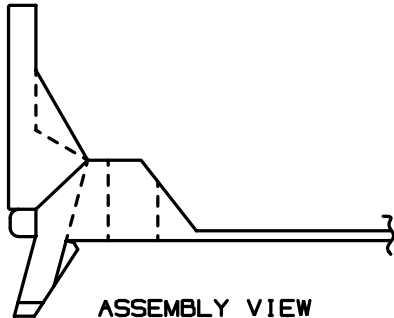
THIS COPY IS PROVIDED ON A RESTRICTED BASIS AND IS NOT TO BE USED IN ANY WAY DETRIMENTAL TO THE INTERESTS OF PANDUIT CORP.

PANDUIT PART NUMBER	FOR USE WITH THE FOLLOWING CABLE TIE CROSS-SECTIONS	RECOM'D FASTENER	WEIGHT lbs 100 (g) pcs
MCEH-S25	PLT 2EH, 5EH, 6EH 8EH, 10EH, 12EH PRT 2EH, 5EH, 6EH 8EH, 10EH, 12EH	1/4" (M6)	0.52 (235.9)



NOTES:

- SEE CURRENT PRICE SHEET FOR PART NUMBER SUFFIX DESIGNATION FOR PACKAGE SIZE.
- MATERIAL: NYLON 6/6
COLOR: BLACK



DIMENSIONS IN BRACKETS ARE METRIC [mm]	
C/D FILENAME/LAYERS G00239KC_PB_MCEH_00	
CORP. TINLEY PARK, ILLINOIS	
MOUNTING CLIP, MCEH-S25	
UNLESS OTHERWISE SPECIFIED, DIMENSIONAL TOLERANCES ARE: (.X) ±0.05 (1.3) (.XXX) ±0.010 (0.25) (.XX) ±0.02 (0.5) ANGLES ± 5°	UNLESS OTHERWISE SPECIFIED, ALL DIMENSIONS ARE GIVEN IN INCHES, THIRD ANGLE PROJECTION.
DRAWN BY JAD	MAT'L: SEE NOTE 2
DATE 4/16/03	SCALE NONE
CR'D	DWG NO. G00239KC
	DWG SIZE A

REV	DATE	BY	CHK	DESCRIPTION	ECN - R	CUST	SUP
R	4/16/03	JAD		INITIAL RELEASE TO REPLACE SS-6417	G00239KC	R	